

DS-KV8X02-IM Metal Villa Door Station



Key Features

Basic Functions

- Video intercom function
- Access control function
- Issues cards via door station, up to Max. 256 cards (This function will be invalid if the card has been issued via the client.)
- Card readers supported
- Self-adaptive IR supplement
- High-Performance Embedded SOC Processor
- One-touch calling function

Video/Audio Functions

- HD video surveillance
- Noise suppression and echo cancellation
- H.264 video compression
- Low illumination

Remote Control

- Remote reboot, remote upgrade, time synchronization via NTP, and batch configuration function
- Remote unlocking via the client or the app
- Remotely answering the call via the client or the app

Additional Features

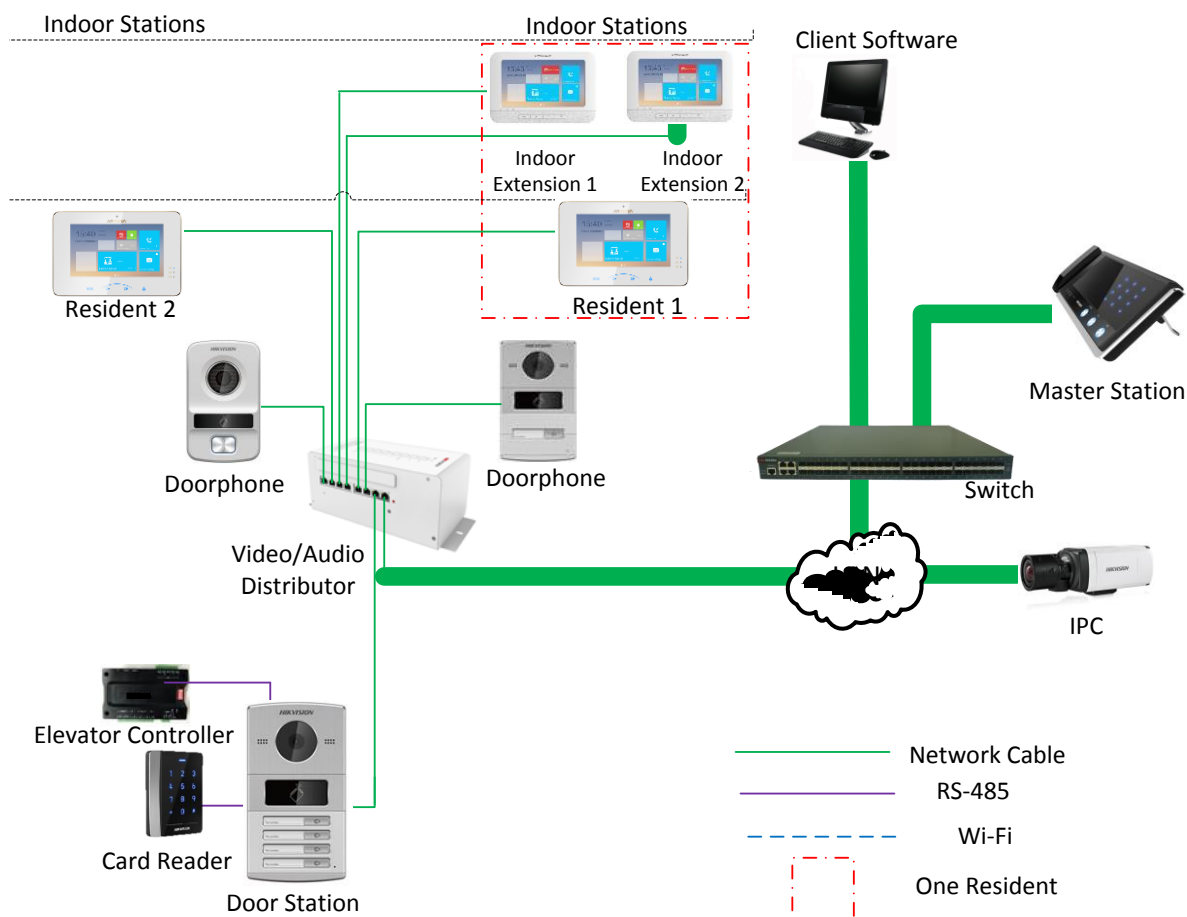
- Tampering alarm and door magnetic alarm
- Message notification function
- Auto-uploads captured pictures to FTP or the client while unlocking the door



Specifications

Model		DS-KV8102-IM	DS-KV8202-IM	DS-KV8402-IM
System parameters	Processor	High-Performance Embedded SOC Processor		
	Operation system	Embedded Linux Operation System		
Video parameters	Camera	CMOS Low Illumination 1.3 MP HD Colorful Camera		
	Video compression standard	H.264		
	Resolution	1280 × 720		
	Video frame rate	25 fps		
Audio parameters	Audio input	Built-in Omnidirectional Microphone		
	Audio output	Built-in Loudspeaker		
	Audio compression standard	G.711 U		
	Audio compression rate	64 Kbps		
	Audio quality	Noise Suppression and Echo Cancellation		
Access control parameters	Internal card reader	Built-in IC Card Reader		
	Exit button	Exit Button for Opening the Door		
	Door magnetic detection	Detects Door Magnetic Status		
Light supplement	Light supplement mode	IR Supplement		
Network parameters	Ethernet	10/100 Mbps Self-Adaptive Ethernet		
	Network protocol	TCP/IP, RTSP		
Alarm parameters	Alarm input	Door Magnetic Alarm, Tampering Alarm		
Device interfaces	Network interface	1 RJ-45 10/100 Mbps Self-Adaptive Ethernet Interface		
	RS-485	1 RS-485 Half-Duplex Port		
	I/O input	4		
	I/O output	1		
General	Indoor station access amount	1	2	4
	Material	Aluminum Alloy		
	Power supply	24 VDC, Power Over Network Cable (DS-KAD606, DS-KAD612)		
		12 VDC		
	Power consumption	≤12 W		
	Working temperature	-40° C to +60° C (-40° F to 140° F)		
	Working humidity	10% to 90%		
	IP protection level	IP65		
	Dimensions (L × W × H)	182 mm × 100 mm × 33 mm (7.17" × 3.94" × 1.30")		
Certification	FCC, IC, CE, C-TICK, ROHS, REACH, WEEE			

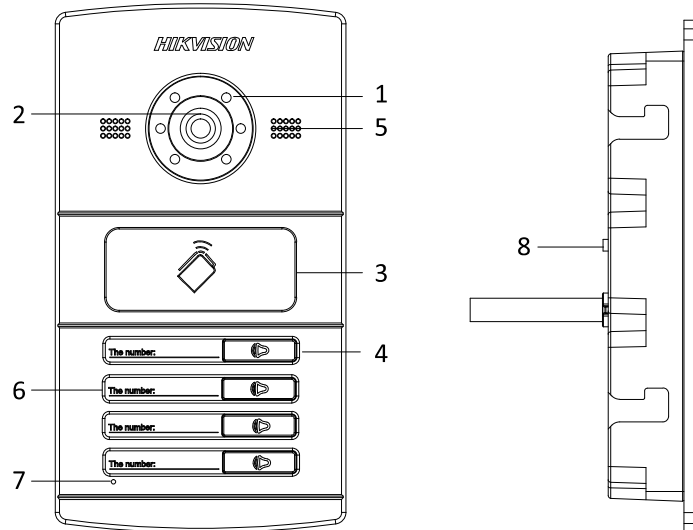
Typical Application



Available Models

DS-KV8102-IM, DS-KV8202-IM, DS-KV8402-IM

Appearance and Interfaces



Index	Description	Index	Description
1	Low Illumination Supplement Light	5	Loudspeaker
2	Built-in Camera	6	Room No. (Customized)
3	Card Induction Area	7	Microphone
4	Call Button	8	TAMPER

Distributed by

1♥ NET TRADING SRL
CCTV IMPORTATOR SISTEME DE SECURITATE
 ☎ 0736 355 553, 0736 355 554, 0722 334 700



HIKVISION®

Headquarters

No.555 Qianmo Road, Binjiang District,
 Hangzhou 310051, China
 T +86-571-8807-5998
 overseasbusiness@hikvision.com

Hikvision USA
 T +1-909-895-0400
 sales.usa@hikvision.com

Hikvision Europe
 T +31-23-55-42-770
 info.eu@hikvision.com

Hikvision Middle East
 T +971-4-8816086
 salesme@hikvision.com

Hikvision Russia
 T +7-495-669-67-99
 saleru@hikvision.com

Hikvision India
 T +91-22-28469900
 sales@pramahikvision.com

Hikvision Italy
 T +39-0438-6902
 info.it@hikvision.com

Hikvision France
 T +33(0)1-85-330-450
 info.fr@hikvision.com

Hikvision Spain
 T +34-91-737-16-55
 info.es@hikvision.com

Hikvision Poland
 T +48-22-460-01-50
 poland@hikvision.com

Hikvision UK
 T +01628-902140
 support.uk@hikvision.com

Hikvision Singapore
 T +65-6684-4718
 sg@hikvision.com

Hikvision Oceania
 T +61-2-8599-4233
 salesau@hikvision.com

Hikvision Canada
 T +1-909-895-0400
 sales.usa@hikvision.com

Hikvision Korea
 T +82-31-731-8841
 sales.korea@hikvision.com

Hikvision Brazil
 T +55 11 3318-0050
 Latam.support@hikvision.com

Hikvision Africa
 T +27 (10) 0351172
 sale.africa@hikvision.com

Hikvision Hong Kong
 T +852-2151-1761