

# DS-1280ZJ-M



## FEATURES:

- Aluminum alloy material with surface spray treatment
- Waterproof design

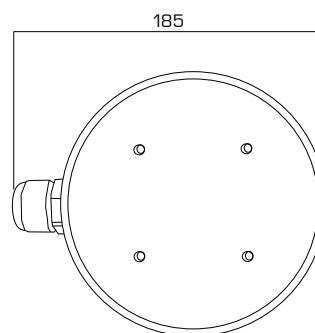
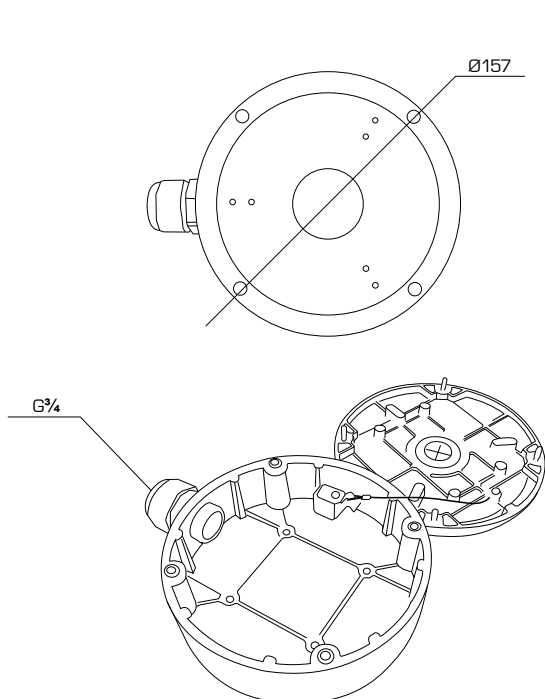
**HIKVISION**

DS-1280ZJ-M

SPEC	
Parameters	Junction box
Colour	Hik White
Feature	Suitable for dome cameras
Material	Aluminum Alloy
Dimension	Ø157 x 51.5 x 185mm
Weight	621g

## INFORMATION:

- The bracket should be installed on a flat wall
- The wall must be capable of supporting over 3 times as much as the total weight of the camera and the mount
- The maximum load capacity of the bracket is 4.5kg
- Waterproof ribber is necessary for outdoor application



unit: mm

